

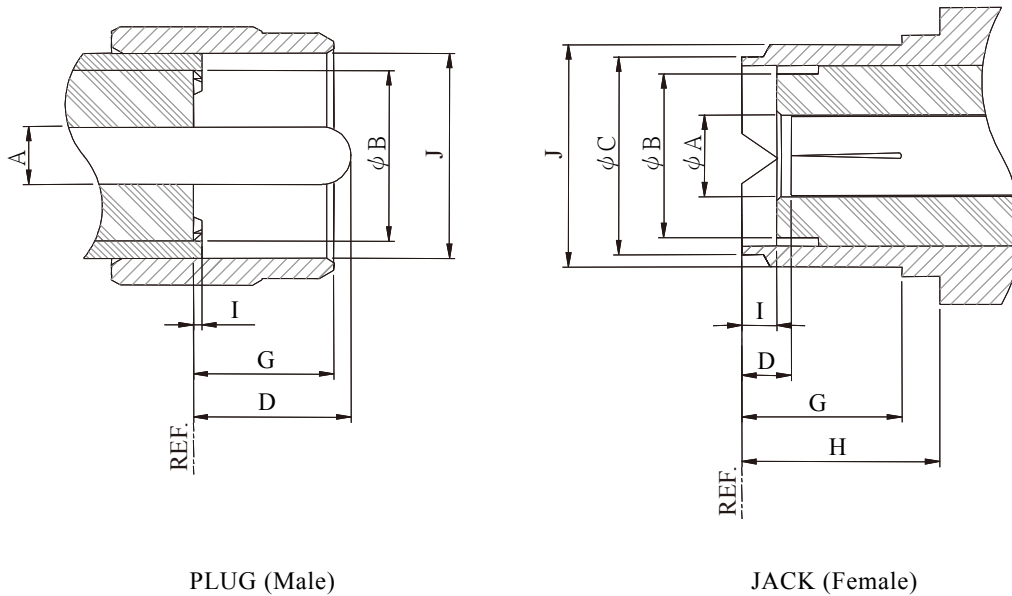


Description

Joymax UHF coaxial connectors are general purpose units for use in low frequency systems applications up to 400MHz with 50 ohm impedance.

They're used for CB radio, Public address systems, Audio/Video, Mobile Radio and test equipment.

Interface Dimensions:



PLUG (Male)

JACK (Female)

Interface Dimensions in mm (inches)

	PLUG		JACK	
	min.	max.	min.	max.
A	3.91 (0.154)	4.01 (0.158)	-	-
B	11.56 (0.455)	12.22 (0.481)	11.56 (0.455)	12.22 (0.481)
C	-	-	14.00 (0.551)	14.25 (0.561)
D	-	11.10 (0.437)	1.02 (0.040)	-
G	-	9.91 (0.390)	7.90 (0.311)	-
H	-	21.00 (0.827)	11.10 (0.437)	-
I	-	0.89 (0.035)	0.89 (0.035)	-
J	5/8-24 UNEF-2B		5/8-24 UNEF-2A	