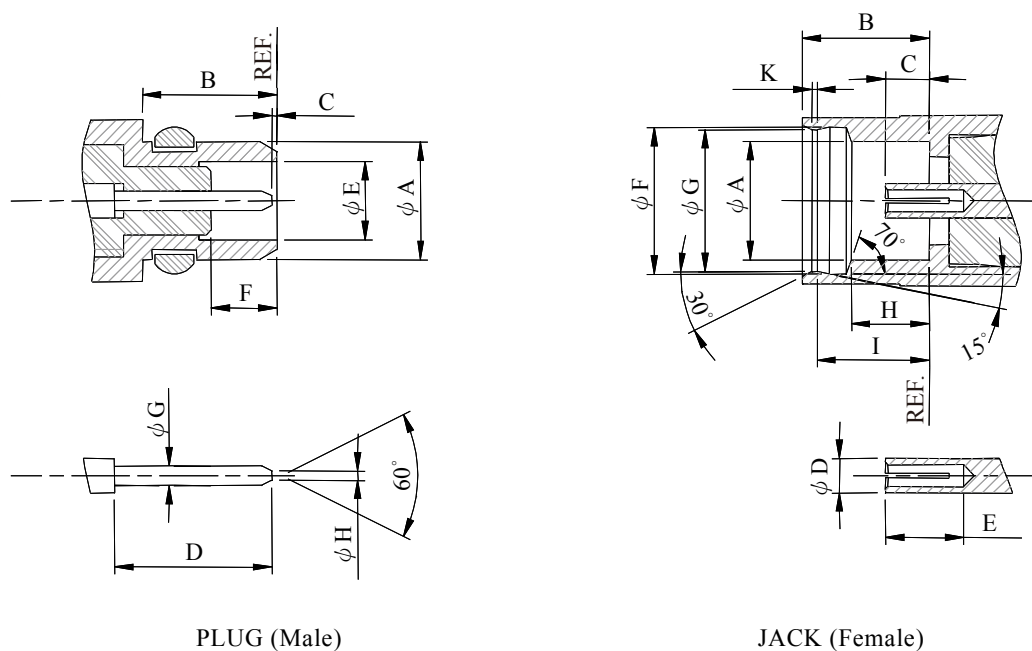


Description

Joymax MMCX connectors are designed for the small size which is 50% of the standard MCX connector, they can be used in application from DC to 6GHz and provide repeatable performance with constant 50 ohm impedance. They're reliable "snap-on" coupling mechanism which is also responsible for transferring excellent electrical parameters during use.

Owing to the non-slotted outer conductor, the MMCX series has a low RF-leakage. There is a huge variety of application for Joymax MMCX connectors, such as Wireless Applications, Broadband communication, Test & measurement, Instruments, Cellular Phones, GPS, etc.

Interface Dimensions:



Interface Dimensions in mm (inches)

	PLUG		JACK	
	min.	max.	min.	max.
A	-	2.40 (0.094)	2.41 (0.095)	-
B	2.70 (0.106)	-	-	2.65 (0.104)
C	0.00 (0.000)	0.25 (0.010)	0.90 (0.035)	1.20 (0.047)
D	1.23 (0.048)	-	0.70 (0.028) nom.	
E	1.58 (0.062)	1.62 (0.064)	1.40 (0.055)	-
F	1.23 (0.048)	-	3.00 (0.118)	3.04 (0.120)
G	0.38 (0.015)	0.42 (0.017)	2.88 (0.113)	2.92 (0.115)
H	-	0.20 (0.008)	1.57 (0.062)	1.63 (0.064)
I	-	-	2.26 (0.089)	2.34 (0.092)